

# SARBE G2R-ELT<sup>†</sup>

## Emergency Locator Transmitter<sup>†</sup>

### Key Features

- COSPAS-SARSAT type approved<sup>†</sup>
- Global satellite alerting on 406MHz
- Simultaneous homing transmissions on 121.5MHz & 243MHz
- GPS for pinpoint location accuracy
- Two way speech facility on 121.5/243Mhz
- Multi direction 'G' Switch activation
- Built in self-test
- Waterproof to 10m
- Fast replacement for AOG operations
- Quick change "Twist Fit" battery
- 5 Year battery life (unused)
- Integrated or aircraft mount antennas
- Bracket for convenient stowage



SARBE G2R - ELT is designed and manufactured to meet the relevant environmental standards and conditions of STANAG 7007 edition 2 and DEF STAN 00-35 issue 2. COSPAS-SARSAT Type Approval Certificate # 159.



### SARBE - Saving lives for over 50 years

SARBE Locator Beacons are in use around the world by armed forces, commercial airlines and civilians to assist in the location of stranded personnel.

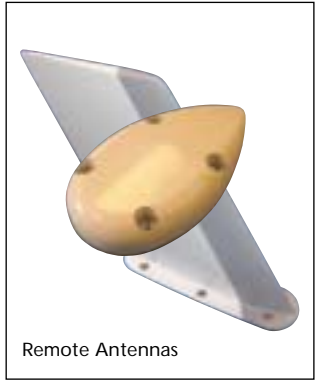
The SARBE name has been associated with crew location equipment since World War 2, when our first Locator Beacon was introduced.

With developments in technology SARBE beacons now come equipped with a range of features designed to ensure rapid location and maximum survival prospects.

## Benefits of G2R-ELT†

Used on its own or to supplement an existing fixed ELT. G2R-ELT is a flexible & economical survival aid providing an essential lifeline if the unexpected happens.

- Removable from aircraft after ditching
- Two way voice communications with rescuers on 121.5/243MHz
- CSAR options for covert operations
- Waterproof
- Flexible stowage options
- Liferaft compatible
- Light and compact
- Transfer quickly between aircraft
- Suitable for fixed & rotary wing aircraft



## Technical & Mechanical Specification

### Frequencies

- 406.028MHz - COSPAS-SARSAT data (beacon identity and GPS location)
- 121.5MHz & 243MHz Swept tone distress signal and speech

### Power Output

- 406MHz - 5 watts
- 121.5MHz - 200mw
- 243MHz - 400mw
- 282MHz - 500mw
- Endurance - Not less than 24 hours @ -20°C

### RF Specification

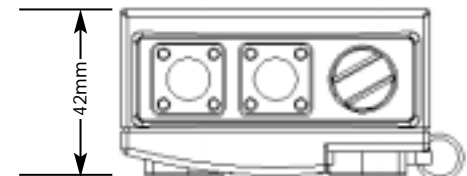
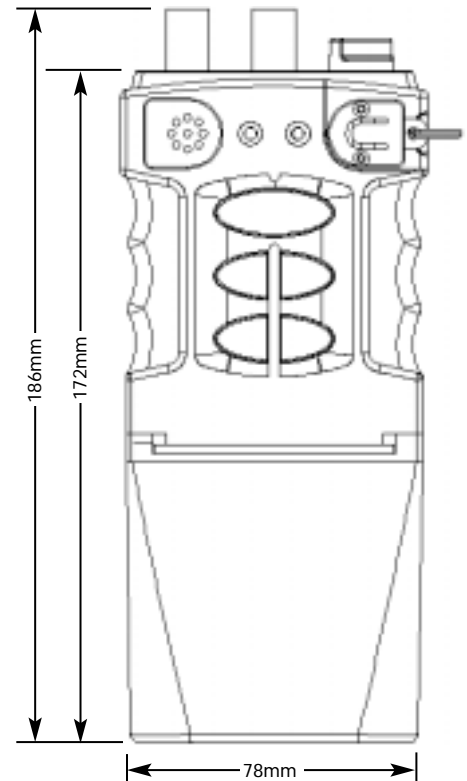
- 406MHz
  - TX/RX Audio response
  - TX/RX Distortion
  - RX Sensitivity
  - RX Audio output
  - RX IF selectivity
  - TX Modulation
  - TX Harmonics
  - TX Range
- IAW COSPAS-SARSAT Docs T.001/T.007  
300Hz - 2500Hz  
Typically 10% @ 85% modulation  
4 microvolts - VHF + UHF  
25mw  
6dB down, @ +/- 15KHz  
85% AM voice + swept tone  
-40dB below carrier  
@ 10,000ft - swept tone >100nm  
- voice >30nm  
@ 1,000ft - swept tone >32nm  
- voice >10nm

### GPS Specification

- Type
  - Co-ordinate system
  - Global accuracy
- 12 channel parallel L1/CA code  
Geodetic Lat/Long WGS84  
10m

### Mechanical Specification

- Weight (excluding antennas)
  - Dimensions (inc. bracket)
  - Waterproof
  - Operational temperature
  - Battery type
  - Battery life
  - Activation
- ELT 780g, Bracket 184g  
H 190mm x W 115mm x D 57mm  
Depth greater than 10mm  
-40°C to +55°C  
6v LiMN02 - 2 'D' cells  
5 years (unused)  
Rotary control switch, 'G' Switch,  
Salt water, Pull Pin



Signature Industries

Digital Angel

Signature Industries Ltd  
Tom Cribb Road  
Thamesmead  
London SE28 0BH

Tel: +44 (0) 20 83 16 44 77  
Fax: +44 (0) 20 83 16 62 18  
www.sarbe.com  
sales@sarbe.com

† COSPAS-SARSAT Type Approval Certificate # 159



FM 13788

